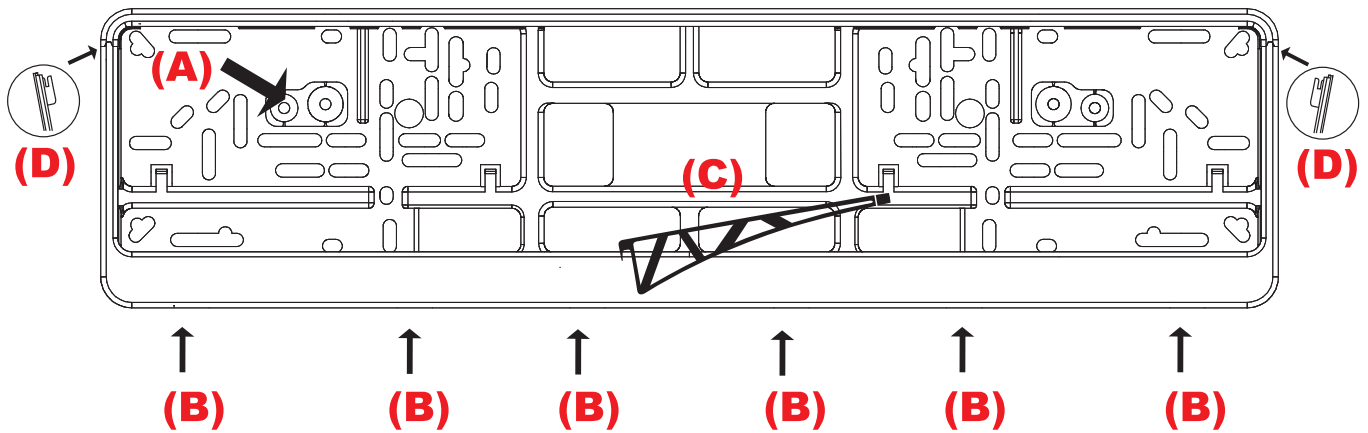


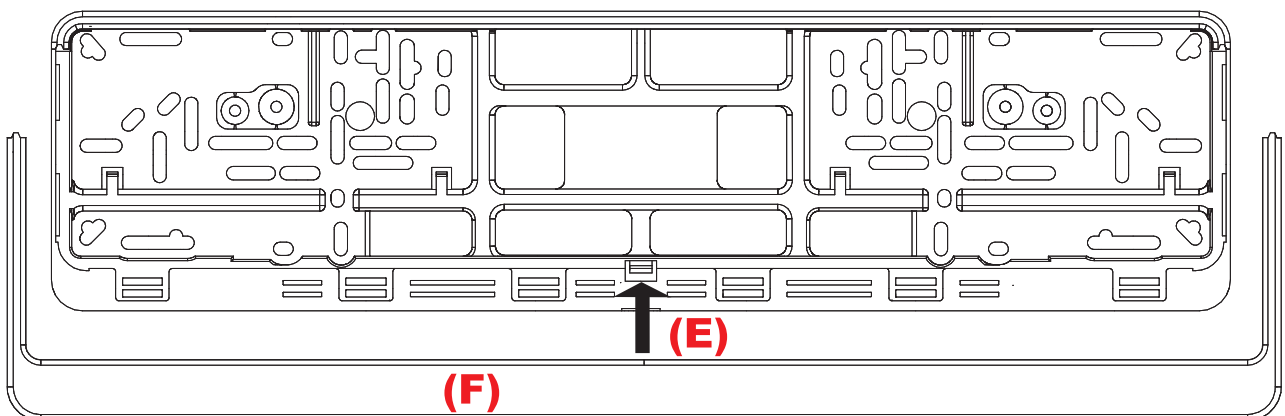
## Licence plate holder Terra 520s • Item-no.: 103-000.02



1. Screw the licence plate holder suitable, as required quarry out the washer **(A)** and use it while screwing.

2. Below the bottom of the border are sitting 6 ports **(B)**, visible without the border or touchable. At these ports the border is fixed at the holder.

2. Start to open the holder at the middle port. Use the special key **(C)** or a slotted screwdriver. Collar it above or below the cleaves between the holder and the border. Screw it soft without force or remove it till the hooks detach from the holder plate (6 times). Finally push back the edges (left and right) downward **(D)** of the border and lift them out. Detach the licence plate at the fixing point **(E)** and remove it downwards. Done.



4. Place the licence plate bottom-up and press it till it clicks into the fixing point **(E)**. Primarily insert the border **(F)** at the edges on the left and right side, then press it on the holder. Done.